



# Lyon

## Juliet Balcony System



Lyon Juliet  
Balcony System



# Lyon Juliet Balcony System

The superior Juliet Balcony system, setting new standards in technology, design and ease of installation.

The beauty of large windows and doors is the volume of light and feeling of spaciousness that they deliver. Now the outside can come inside with the introduction of the Lyon Juliet balcony system from Bohle. With maximum potential glass widths up to 4 metres, unobstructed sight lines and three standard heights, Lyon is slim, simple and safe.

Thanks to its innovative '1-2-3 click' system, installation is as easy as can be and does not require any special tools. Installation on the façade can be carried out either from the front or inside the soffit, and these two options can also be combined. Lyon is designed to be fixed directly onto the reveal or the window frame and is suitable for installation onto concrete/stone, steel reinforced PVC-u, wood, aluminium and hybrid timber-aluminium profiles.

With only 4 fixing points on each side, the Lyon Juliet balcony is faster, easier and less expensive to fit. Also, just a single, anodised aluminium profile is required for front and side mounting, left or right side - simplicity itself. Lyon has been independently UK tested to meet the requirements of BS6180:2011 as well as being compatibility tested by some of Europe's leading aluminium and PVC-u systems companies.

## At a glance:

- Standard glass thicknesses 12.76 - 21.52mm. Up to 25.52 mm available on request
- Standard finishes RAL 9016 white, RAL 7016 anthracite and anodised aluminium colour. Special colours on request
- Lyon is available in standard heights 900, 1000 and 1100 mm. Special heights are available on request
- Installation length of up to 4 metres. External forces should be taken into consideration
- Front or side mount or combination of both
- Line load, infill load and point load tested up to 1.5kN (1800 x 1100 x 17.52mm & 1200 x 1100 x 13.52mm)

**TEST CERTIFICATE**  
BALUSTRADE TESTING IN ACCORDANCE WITH  
BRITISH STANDARD BS 6180:2011

On behalf of Bohle Ltd  
81th Ave., Tameside Park Ind Est, Dukinfield, Cheshire, SK16 4PP

**ST5**

**LYON BALUSTRADE TESTING**  
ST5 LABORATORY, UNIT 4 POOLE HALL BUSINESS PARK, CHESHIRE, CH66 1UA

**TEST DESCRIPTION:** A balustrade test was applied to determine whether the product could withstand the target loads of 1.50kN/m Line Load, 1.5kN/m<sup>2</sup> Infill Load and 1.5kN Point Load without exceeding its maximum deflection of 25mm. The testing sequence comprised of three tests, a line load, infill load and point load. Testing was completed in accordance with BS 6180:2011. All systems were fixed in place using M8 Fixings Grade 8.8 in controlled conditions.

REF NO.:	DR-5502	DATE TESTED:	18 <sup>th</sup> September 2022
JOB NO.:	P05032	CERTIFICATE DATE:	18 <sup>th</sup> September 2022
CERTIFICATE NO.:	IC03054	SUPPLIER/SOURCE:	Client

**TEST DETAILS:**

Product Tested:	Bohle Lyon Side Mounted Balustrade	Glass Size:	1200 x 1100 x 13.52mm
Target Load:	As per table below	Item Condition:	New Product
Test Location:	ST5 Laboratory	Ambient Temperature:	19°C
Test Number:	016	Procedure or Method:	BS 6180:2011

TEST RESULTS:	Target Load	Load Achieved	Maximum Displacement (mm)	Classification
Line Load	1.5 kN/m	1.5 kN/m	8.53	Pass
Infill Load	1.5 kN/m <sup>2</sup>	1.5 kN/m <sup>2</sup>	7.46	Pass
Point Load	1.5 kN	1.5 kN	7.92	Pass

**ANALYSIS:**  
The testing, when carried out in the manner described in BS 6180:2011 on the day of testing, successfully achieved a load of 1.50kN/m line load, 1.5kN/m<sup>2</sup> infill load and 1.5kN point load whilst not exceeding 25mm of deflection, deeming the test a pass. All testing was carried out in accordance with BS6180:2011.

For Specialist Technical Services (UK) Limited  
Approved By: Andrew Glore  
Position: Technical Director

The results found on this Certificate relate only to the product(s) tested as described above. This Test Certificate must not be reproduced except in full.  
Signature: [Signature]  
SIC 10000 - Test Certificate - v0.0.1 Page 1 of 1

END OF PAGE

Unit 04, Poole Hall Business Park, Poole Hall Road, Ellesmere Port, Cheshire, CH66 1UA, United Kingdom  
P: +44 (0) 1244 794 204 F: +44 (0) 1244 794 208  
E: info@st5-group.co.uk

Offices Located at: Chester | Ellesmere Port  
Website: <https://www.st5-group.co.uk>

Unit 04, Poole Hall Business Park, Poole Hall Road, Ellesmere Port, Cheshire, CH66 1UA, United Kingdom  
P: +44 (0) 1244 794 204 F: +44 (0) 1244 794 208  
E: info@st5-group.co.uk

Offices Located at: Chester | Ellesmere Port  
Website: <https://www.st5-group.co.uk>



# Lyon Juliet Balcony System



## Slim, simple and safe

Every Lyon Juliet Balcony kit comprises 2x base profiles, 2x cover profiles, a rubber gasket set and end caps. Fixings are not included but available to order to suit the substrate or profile for installation.

When fitted, the unobtrusive Lyon mounting profile measures just 52.5mm wide by 32.5mm deep (40.5mm deep with 21.52mm glass), allowing the maximum glass aperture and exploiting the most available light. Most applications will not require a handrail, further improving sight lines, and when Lyon is supplied coloured to match the window profile, it virtually disappears from view.

Fitting Lyon is incredibly simple. Some Juliet balcony systems require as many as twelve fixings, Lyon requires just four per side. Fitting into brick, concrete and stonework is achieved with appropriate fixing anchors, aluminium profiles require stainless steel threads and nuts or rivet nuts appropriate to the system.

Lyon can be fitted to steel reinforced PVC-u profiles with Piasta self-tapping screws for plastic frames or FABA type A fixing screws and timber profiles require ASSY 3.0 SK wood screws. Most fixings in a variety of lengths can be ordered from Bohle.

How fast and simple is Lyon? Once the base profile is secured, the glass can be positioned and adjusted. Then the cover profile can be fitted, the gasket inserted and installation is complete. An optional self-adhesive, stainless steel, glass edge protector can be fitted to shield the laminate interlayer from the elements.

Finally, when it comes to safety, Lyon from Bohle has been tested extensively in the UK and Europe, offering designers, installers and end users maximum confidence.

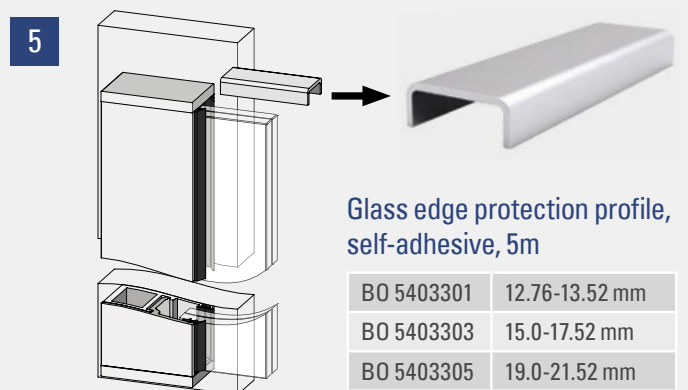
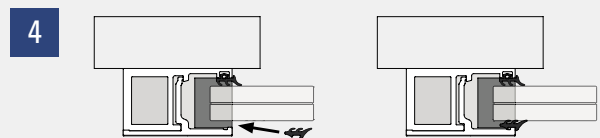
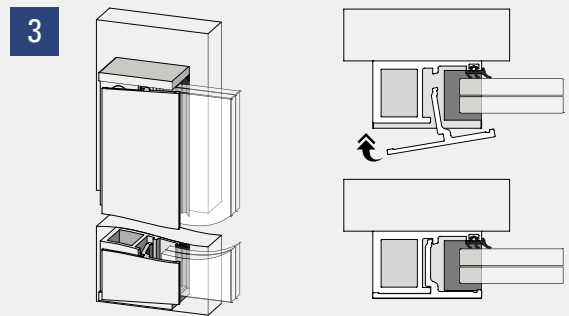
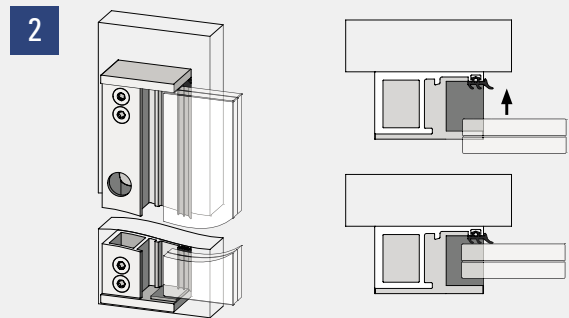
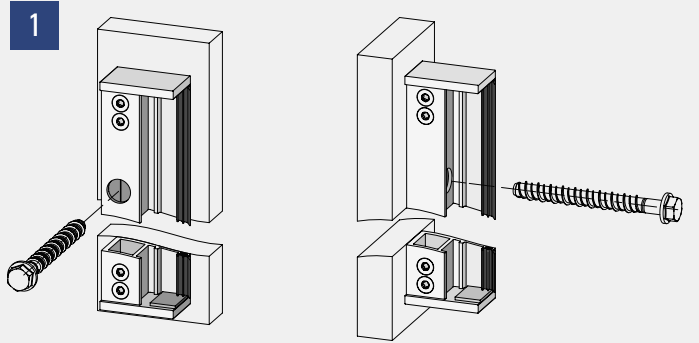
# Easy fitting



## Maximum creativity

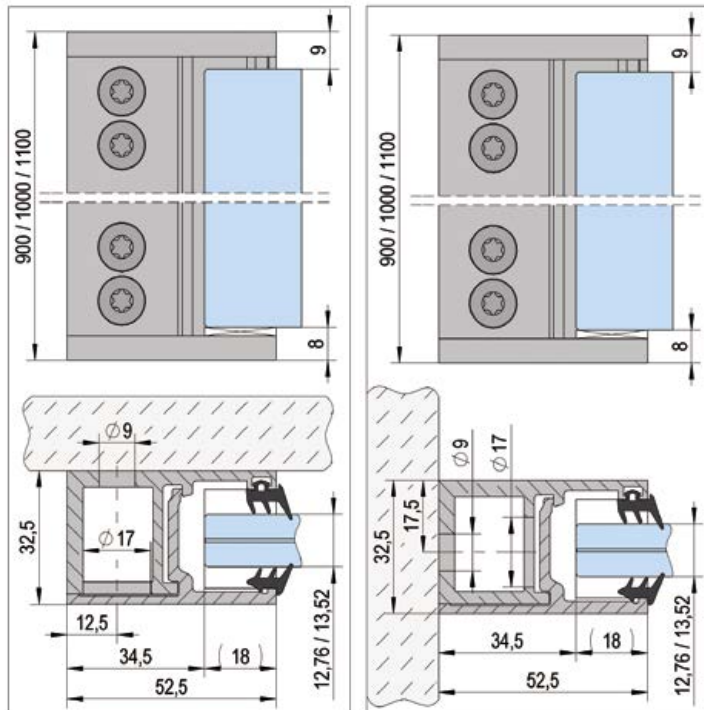
Specifically designed to be as unobtrusive as possible, Lyon permits the balustrade glass to deliver the maximum light.

In order to match the window or cladding profile, the stonework or decorative features, Lyon can be supplied in virtually any RAL colour including metallics.



# Lyon Juliet Balcony System

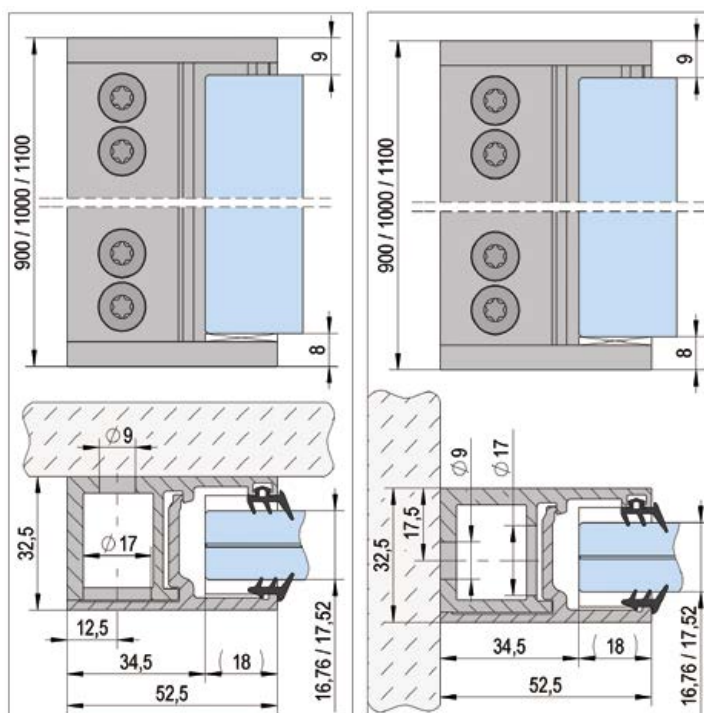
## BO 5404000-17



## 12.76-13.52mm glass

BO 5404000	traffic white RAL 9016	front	900 mm
BO 5404001	traffic white RAL 9016	side	900 mm
BO 5404002	traffic white RAL 9016	front	1000 mm
BO 5404003	traffic white RAL 9016	side	1000 mm
BO 5404004	traffic white RAL 9016	front	1100 mm
BO 5404005	traffic white RAL 9016	side	1100 mm
BO 5404006	anthracite grey RAL 7016	front	900 mm
BO 5404007	anthracite grey RAL 7016	side	900 mm
BO 5404008	anthracite grey RAL 7016	front	1000 mm
BO 5404009	anthracite grey RAL 7016	side	1000 mm
BO 5404010	anthracite grey RAL 7016	front	1100 mm
BO 5404011	anthracite grey RAL 7016	side	1100 mm
BO 5404012	aluminium-coloured anodised	front	900 mm
BO 5404013	aluminium-coloured anodised	side	900 mm
BO 5404014	aluminium-coloured anodised	front	1000 mm
BO 5404015	aluminium-coloured anodised	side	1000 mm
BO 5404016	aluminium-coloured anodised	front	1100 mm
BO 5404017	aluminium-coloured anodised	side	1100 mm

## BO 5404020-37

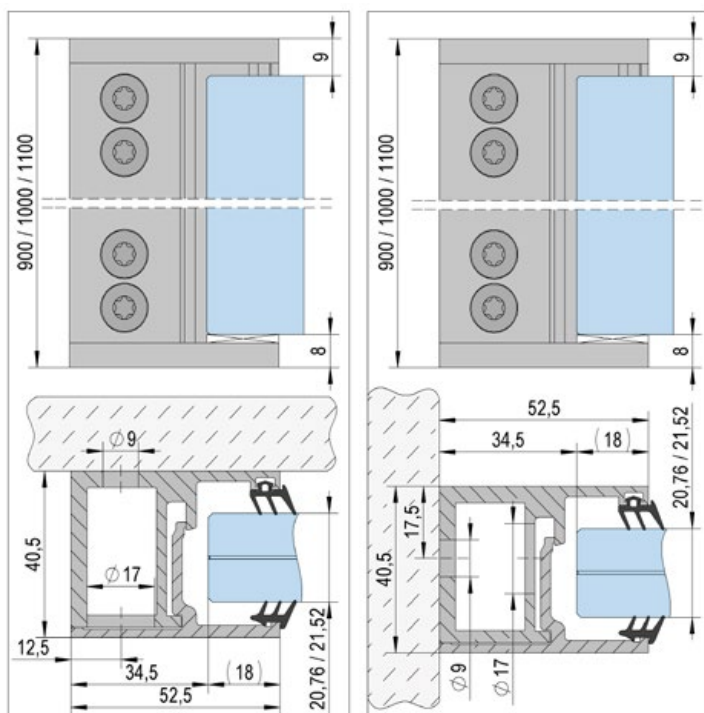


## 16.76-17.52mm glass

BO 5404020	traffic white RAL 9016	front	900 mm
BO 5404021	traffic white RAL 9016	side	900 mm
BO 5404022	traffic white RAL 9016	front	1000 mm
BO 5404023	traffic white RAL 9016	side	1000 mm
BO 5404024	traffic white RAL 9016	front	1100 mm
BO 5404025	traffic white RAL 9016	side	1100 mm
BO 5404026	anthracite grey RAL 7016	front	900 mm
BO 5404027	anthracite grey RAL 7016	side	900 mm
BO 5404028	anthracite grey RAL 7016	front	1000 mm
BO 5404029	anthracite grey RAL 7016	side	1000 mm
BO 5404030	anthracite grey RAL 7016	front	1100 mm
BO 5404031	anthracite grey RAL 7016	side	1100 mm
BO 5404032	aluminium-coloured anodised	front	900 mm
BO 5404033	aluminium-coloured anodised	side	900 mm
BO 5404034	aluminium-coloured anodised	front	1000 mm
BO 5404035	aluminium-coloured anodised	side	1000 mm
BO 5404036	aluminium-coloured anodised	front	1100 mm
BO 5404037	aluminium-coloured anodised	side	1100 mm

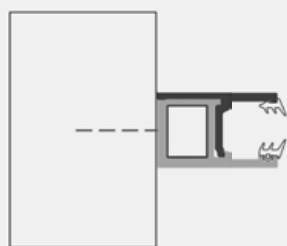
# BO 5404060-77

# 20.76-21.52mm glass

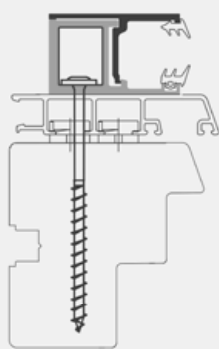


BO 5404060	traffic white RAL 9016	front	900 mm
BO 5404061	traffic white RAL 9016	side	900 mm
BO 5404060	traffic white RAL 9016	front	1000 mm
BO 5404063	traffic white RAL 9016	side	1000 mm
BO 5404064	traffic white RAL 9016	front	1100 mm
BO 5404065	traffic white RAL 9016	side	1100 mm
BO 5404066	anthracite grey RAL 7016	front	900 mm
BO 5404067	anthracite grey RAL 7016	side	900 mm
BO 5404068	anthracite grey RAL 7016	front	1000 mm
BO 5404069	anthracite grey RAL 7016	side	1000 mm
BO 5404070	anthracite grey RAL 7016	front	1100 mm
BO 5404071	anthracite grey RAL 7016	side	1100 mm
BO 5404072	aluminium-coloured anodised	front	900 mm
BO 5404073	aluminium-coloured anodised	side	900 mm
BO 5404074	aluminium-coloured anodised	front	1000 mm
BO 5404075	aluminium-coloured anodised	side	1000 mm
BO 5404076	aluminium-coloured anodised	front	1100 mm
BO 5404077	aluminium-coloured anodised	side	1100 mm

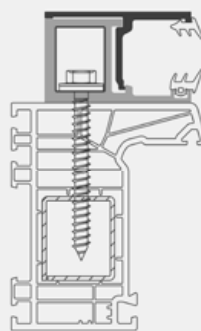
## Methods of fixing & accessories



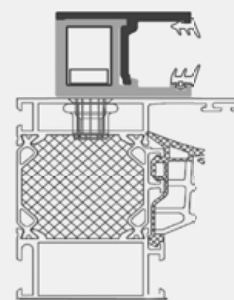
**Concrete & masonry**  
Fixing anchor



**Timber or wood**  
ASSY 3.0 SK 6x... fixing screw



**PVC-u profiles**  
Piasta 6x...or Faba A 6.5 x...  
fixing screw



**Aluminium profiles**  
Stainless threaded screw  
& nut or rivet nut



**Wood screws ASSY 3.0 SK**

BO 5404042	6 x 60 mm
BO 5404043	6 x 80 mm
BO 5404044	6 x 100 mm



**Self-drilling facade screw Piasta**

BO 5404045	6 x 50 mm
BO 5404046	6 x 75 mm
BO 5404047	6 x 90 mm



**Facade screw FABA A**

BO 5404048	6.5 x 45 mm
BO 5404049	6.5 x 50 mm
BO 5404050	6.5 x 64 mm

BO 5404051	6.5 x 75 mm
BO 5404052	6.5 x 90 mm
BO 5404053	6.5 x 100 mm
BO 5404054	6.5 x 115 mm



Bohle Ltd.  
Fifth Avenue  
Tameside Park, Dukinfield  
Cheshire SK16 4PP

T +44 161 3421100  
F +44 161 3440111

[info@bohle.ltd.uk](mailto:info@bohle.ltd.uk)  
[www.bohle.com](http://www.bohle.com)